

# HDMI CAMERAS



## WUCAM0720PA WiFi+USB C-mount CMOS Camera



WUCAM0720PA is a Camera that has the WiFi output and USB output. An on-camera switch is used to switch between the WiFi and USB output

When WiFi output is available, this Camera is used as a WiFi Camera and could be connected to mobile devices, such as smart phones, pads and computers. It could work with ToupView app on iOS, Android and windows platform. More than 6 users could connect the Camera simultaneously by WiFi connection

When USB output is available, this Camera is used as a USB Camera and could support UVC standard. The Camera could be used with ToupView or other 3rd part software which could support UVC camera

- C-Mount Camera has 25.4 mm or 1-inch diameter with 32 threads per inch;
- Scientific research grade Camera with Aptina CMOS sensor;
- Switchable WiFi+USB data interface;
- Send MJPEG encodec high-resolution images from Camera to WiFi-enabled smartphones, computers, and tablets with iOS, Android, and Windows operating systems;
- Streams images to several devices simultaneously;
- Send MJPEG encodec high-resolution images from Camera to USB-enabled computer with UVC standard protocol
- Ultra-Fine color engine with perfect color reproduction capability;
- With advanced video & image processing application ToupView(only support simple video viewing capturing for IOS/ android system);
- Custom programmable with SDK provided(Windows/Linux/OS)(WiFi);

## Related models

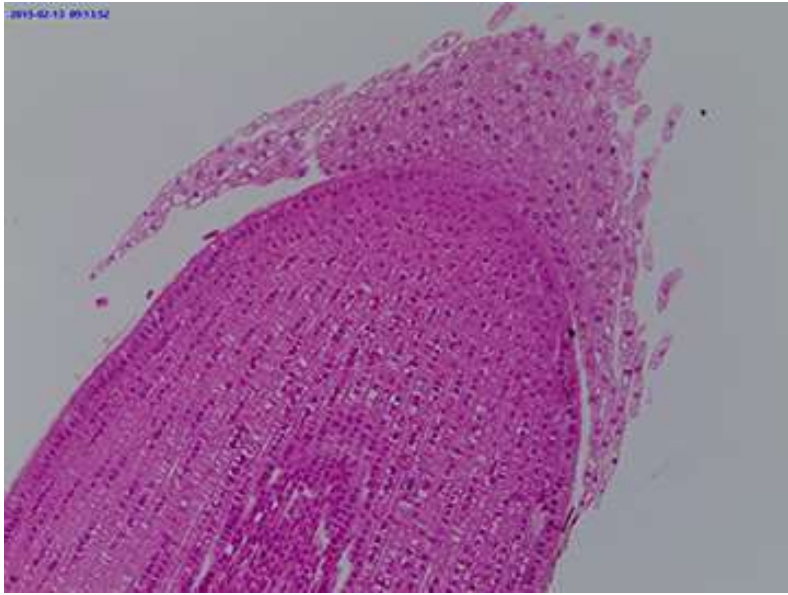
Order Code	Sensor Size(mm)	Pixel( $\mu\text{m}$ )	G Responsivity Dynamic range SNRmax	FPS/Resolution	Binning	Exposure (ms)
WUCAM0720PA	720P/MT9P001 (C) 1/2.5" (5.63x3.17)	2.2x2.2	0.53 V/lux-sec 66.5dB 40dB	30@1280x720	2x2	Auto/Manual Exposure

## Specification

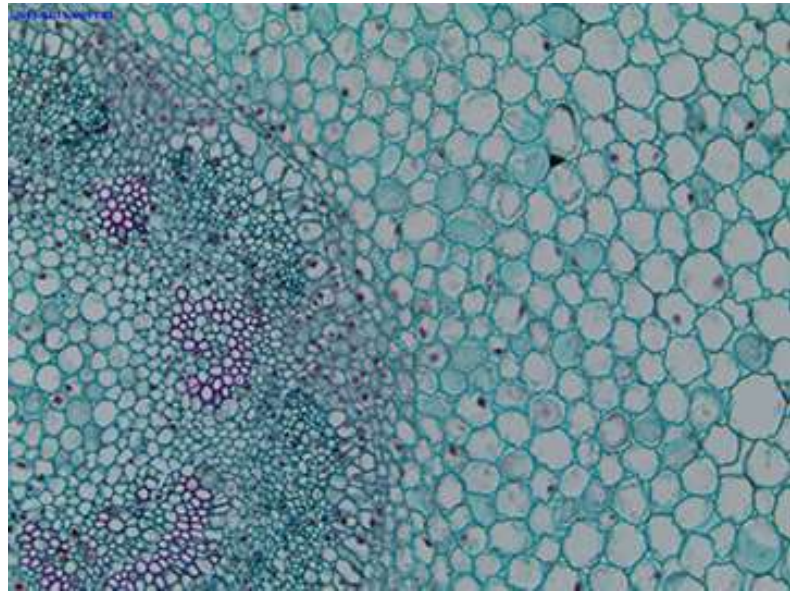
Other Specification for WCAM Camera	
Output Interface	USB or WiFi(on Camera Switch)
Spectral Range	380-650nm (with IR-cut Filter)
White Balance	Whole Area White Balance/ Manual Temp Tint Adjustment/NA for Monochromatic Sensor
Color Technique	Ultra-Fine Color Engine/NA for Monochromatic Sensor
Capture/Control SDK	Windows/Linux/macOS/Android Multiple Platform SDK(Native C/C++, C#/VB.NET, Python, Java, DirectShow, Twain, etc)
Recording System	Still Picture and Movie
Cooling System*	Natural
Maximum Connected Device	6~10
Operating Environment	
Operating Temperature(in Centidegree)	-10~ 50
Storage Temperature(in Centidegree)	-20~ 60
Operating Humidity	30~80%RH
Storage Humidity	10~60%RH
Power Supply	USB Charger USB port from PC
Software Environment	
Operating System	Microsoft® Windows® XP / Vista / 7 / 8 /10 (32 & 64 bit) IOS IPAD or IPHONE, Android PAD and Phone
PC Requirements	CPU: Equal to Intel Core2 2.8GHz or Higher
	Memory:2GB or More
	WiFi Adapter with DHCP Enabled
	Display:17" or Larger
	CD-ROM
PAD	IPAD or PAD with Android System
Mobile Phone	IPhone or Smart Phone with Android System



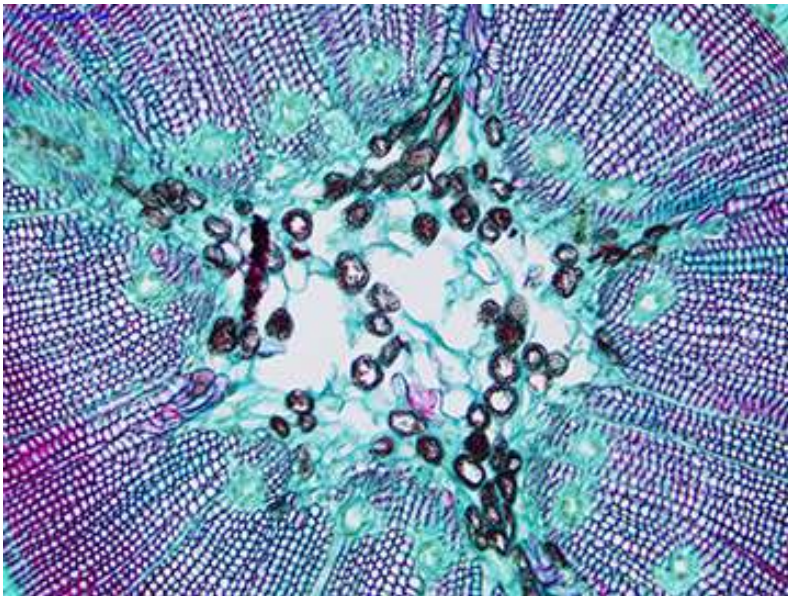
# Instance



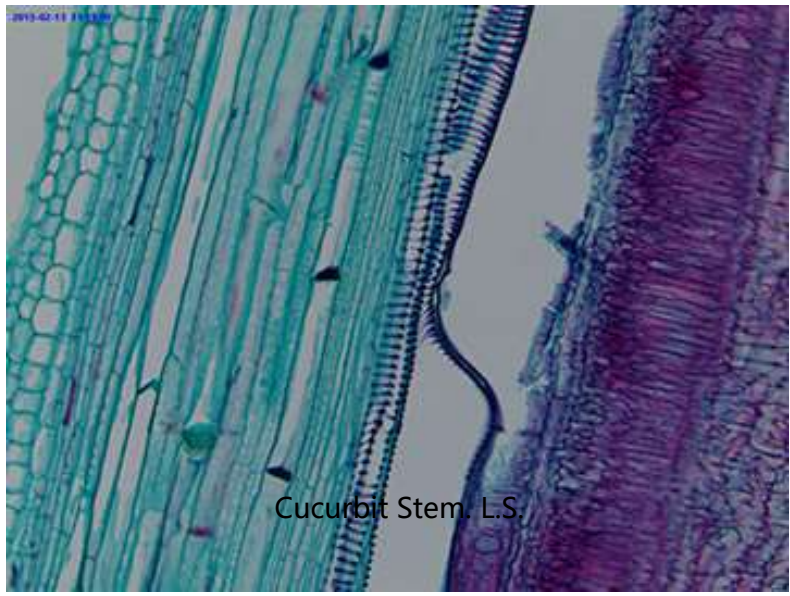
Corn Root Tip. L.S.



Broad bean Root. C.S.

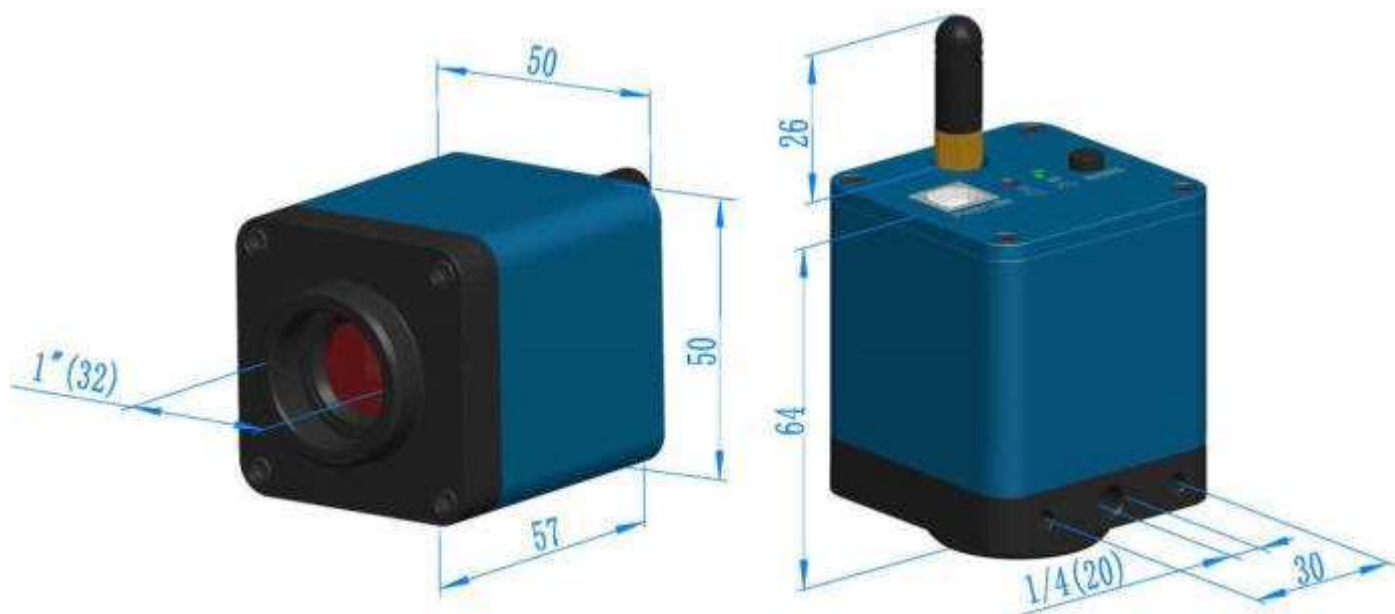


Corn Stem. C.S.



Cucurbit Stem. L.S.

## Camera interface and appearance dimensions



## Packing List





## Packing Information of WUCAM0720PA Series

<b>Standard Camera Packing List</b>			
A	Carton L:52cm W:32cm H:33cm (20pcs, 11.4~14Kg/ carton, 0.045m <sup>3</sup> ), not shown in the photo		
B	Gift box L:15cm W:15cm H:10cm (0.46~0.47Kg/ box)		
C	WUCAM0720PA series WiFi+USB2.0 C-mount CMOS camera		
D	High-speed USB2.0 A male to B male gold-plated connectors cable /2.0m(for PC power only) or with USB charger		
E	CD (Driver & utilities software, Ø12cm)		
<b>Optional Accessory</b>			
F	Adjustable lens adapter	C-mount to Dia.23.2mm eyepiece tube (Please choose 1 of them for your microscope)	108001/AMA037 108002/AMA050 108003/AMA075
		C-mount to Dia.31.75mm eyepiece tube (Please choose 1 of them for your telescope)	108008/ATA037 108009/ATA050 108010/ATA075
G	Fixed lens adapter	C-mount to Dia.23.2mm eyepiece Tube (Please choose 1 of them for your microscope)	108005/FMA037 108006/FMA050 108007/FMA075
		C-mount to Dia.31.75mm eyepiece Tube (Please choose 1 of them for your telescope)	108011/FTA037 108012/FTA050 108013/FTA075
Note: For F and G optional items, please specify your Camera type(C-mount, microscope camera or telescope camera), engineer will help you to determine the right microscope or telescope Camera adapter for your application;			
H	108015(Dia.23.2mm to 30.0mm ring)/Adapter rings for 30mm eyepiece tube		
I	108016(Dia.23.2mm to 30.5mm ring)/ Adapter rings for 30.5mm eyepiece tube		
J	108017(Dia.23.2mm to 31.75mm Ring)/ Adapter rings for 31.75mm eyepiece tube		
K	Calibration kit	106011/TS-M1(X=0.01mm/100Div.); 106012/TS-M2(X,Y=0.01mm/100Div.); 106013/TS-M7(X=0.01mm/100Div., 0.10mm/100Div.)	